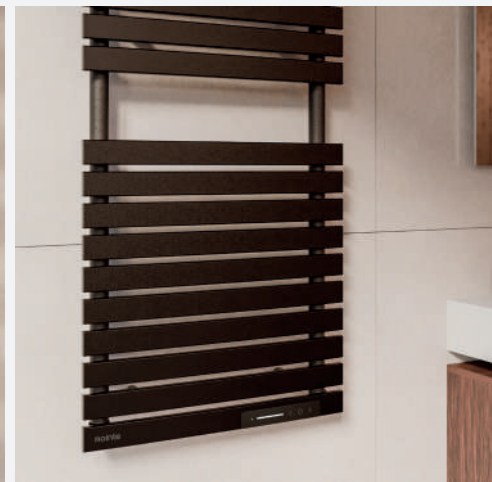


# Neø **WiFi DIRECT**

Energy-efficient digital towel rail  
with WiFi & Ai



Displayed model  
NT1050SEB - Neø 500W textured black RAL 9005



## Smartphone control

Control your Rointe connected towel rail from your smartphone, anytime and anywhere you want, with the Rointe NEXA app.

## Integrated control panel

The product has an integrated control panel which gives it a clean and uniform appearance, enhancing its modern minimalist aesthetic.

## Maximum energy savings

Its technology allows the product to offer maximum performance with minimum energy consumption.

## Features

### CONTROL AND TECHNOLOGY



WiFi Direct connection <sup>1</sup>



Touch panel with LED indicator



Comfort, Eco and Anti-frost mode



Bluetooth pairing

**OPTIMIZER**

Optimizer Energy Plus



Optimum Flux Tech



High sensitivity thermostat



Compatible with voice assistants

### EFFICIENCY



Artificial Intelligence



Open Windows function



Early Start function



TRP consumption meter <sup>2</sup>

### FUNCTIONALITY



Programmable from App



Lock from product & App



Limited mode for guests



Customisable Boost function



Night saving mode



Holiday mode

### DESIGN AND FINISHES



Concealed brackets



Integrated control panel



100% steel body



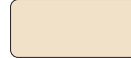
Gloss white RAL 9016



Textured black RAL 9005



Polished CHROME



Text. Oyster White RAL 1013



Text. Pearl Beige RAL 1035

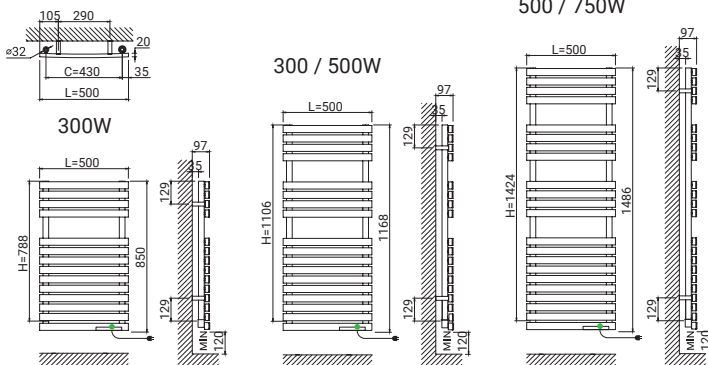


Text. Dark Grey RAL 7010

## Technical specifications

MODELS	White	NTI030SEW	NTI050SEW	NTI075SEW
	Black	NTI030SEB	NTI050SEB	NTI075SEB
	Chrome	NTI030SEC	NTI050SEC	NTI075SEC
	Oyster White	NTI030SEO	NTI050SEO	NTI075SEO
	Pearl Beige	NTI030SEP	NTI050SEP	NTI075SEP
	Dark Grey	NTI030SEG	NTI050SEG	NTI075SEG
	Nominal Power (W)	White / Black / RAL Chrome	300 300	500 300
Number of bars		13	17	21
Width - L (mm)		500	500	500
Recommended area (m <sup>2</sup> )		Up to 3 m <sup>2</sup>	Up to 5 m <sup>2</sup>	Up to 7.5 m <sup>2</sup>
Recommended floor clearance (mm)		1,000	800	600
Product depth (mm)		62	62	62
Finishes	Gloss RAL 9016 / Textured RAL 9005 / Chrome / Text. RAL 1013 / Text. RAL 1035 / Text. RAL 7010			

## Scheme Dimensions in mm.



PRODUCT VIDEO



AUGMENTED REALITY



DOWNLOAD APP ROINTE NEXA



1) Compatible with 2.4 GHz Wi-Fi networks. 2) The figure may vary depending on the circumstances of the electrical installation.

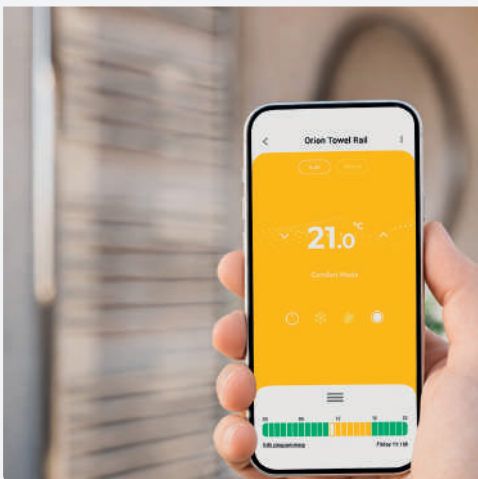
The product includes 1.4 m cable without plug (right side outlet, indicated by • in the dimensions diagram), brackets, installation kit + template and user manual.

# Orion **WiFi DIRECT**

Energy-efficient digital towel rail  
with WiFi & Ai



Displayed model  
OTI050SEC4 - Orion 300W chrome



## Smartphone control

Control your Rointe connected towel rail from your smartphone, anytime and anywhere you want, with the Rointe NEXA app.

## Concealed metal wall brackets

Secure fixing system that remains completely hidden, allowing more towels to be placed on the rails without visible supports obstructing easy use.

## Maximum energy savings

Its technology allows the product to offer maximum performance with minimum energy consumption.

## Features

### CONTROL AND TECHNOLOGY



WiFi Direct connection <sup>1</sup>



Touch panel with TFT screen



Comfort, Eco and Anti-frost mode



Bluetooth pairing

**OPTIMIZER**

Optimizer Energy Plus



Optimum Flux Tech



High sensitivity thermostat



Compatible with voice assistants

### EFFICIENCY



Artificial Intelligence



Open Windows function



Early Start function



TRP consumption meter <sup>2</sup>

### FUNCTIONALITY



Programmable from product & App



Lock from product & App



Limited mode for guests



Customisable Boost function



Night saving mode



Holiday mode

### DESIGN AND FINISHES



Concealed brackets



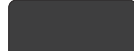
30° inclined panel



100% steel body



Gloss white RAL 9016



Satin black RAL 9005

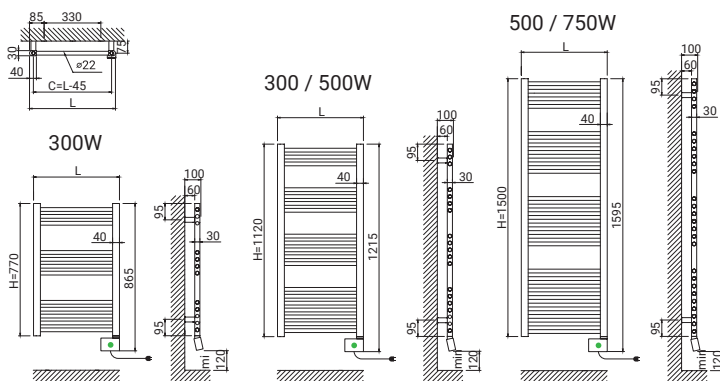


Polished CHROME

## Technical specifications

MODELS	White	OTI030SEB4	OTI050SEB4	OTI075SEB4
	Black	OTI030SEN4	OTI050SEN4	OTI075SEN4
	Chrome	OTI030SEC4	OTI050SEC4	OTI075SEC4
Nominal Power (W)	White / Black	300	500	750
	Chrome	300	300	500
Number of bars		12	19	26
Width - L (mm)		500	500	500
Weight (Kg)		7.4	11.6	14.6
Product depth (mm)		30	30	30
Recommended area (m <sup>2</sup> )		Up to 3 m <sup>2</sup>	Up to 5 m <sup>2</sup>	Up to 7.5 m <sup>2</sup>
Recommended floor clearance (mm)		1,000	800	600
Finishes	Gloss RAL 9016 / Satin RAL 9005 / Chrome			

## Scheme Dimensions in mm.



PRODUCT VIDEO



AUGMENTED REALITY



DOWNLOAD APP ROINTE NEXA

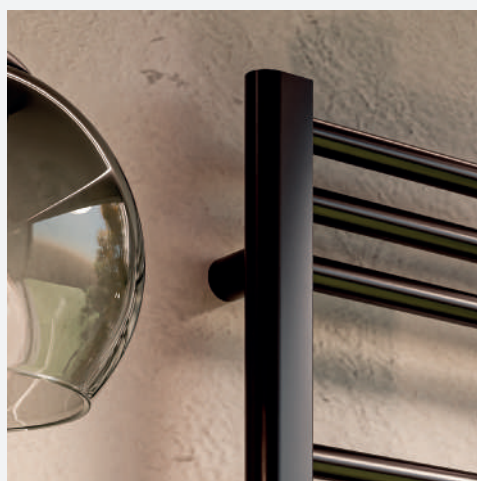


1) Compatible with 2.4 GHz Wi-Fi networks. 2) The figure may vary depending on the circumstances of the electrical installation.

The product includes 1.4 m cable without plug (right side outlet, indicated by • in the dimensions diagram), brackets, installation kit + template and user manual.

# Elba Oval WiFi **WiFi DIRECT**

Energy-efficient digital towel rail  
with WiFi & Ai



## Smartphone control

Control your Rointe connected towel rail from your smartphone, anytime and anywhere you want, with the Rointe NEXA app.

## Concealed metal wall brackets

Secure fixing system that remains completely hidden, allowing more towels to be placed on the rails without visible supports obstructing easy use.

## Maximum energy savings

Its technology allows the product to offer maximum performance with minimum energy consumption.

## Features

### CONTROL AND TECHNOLOGY



WiFi Direct connection <sup>1</sup>



Touch panel without display



Comfort, Eco and Anti-frost mode



Bluetooth pairing

**OPTIMIZER**

Optimizer Energy Plus



Optimum Flux Tech



High sensitivity thermostat



Compatible with voice assistants

### EFFICIENCY



Artificial Intelligence



Open Windows function



Early Start function



TRP consumption meter <sup>2</sup>

### FUNCTIONALITY



Programmable from App



Lock from product & App



Limited mode for guests



Max Power function up to 2 h



Night saving mode



Holiday mode

### DESIGN AND FINISHES



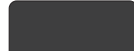
Concealed brackets



100% steel body



Gloss white  
RAL 9016



Satin black  
RAL 9005



Polished  
CHROME



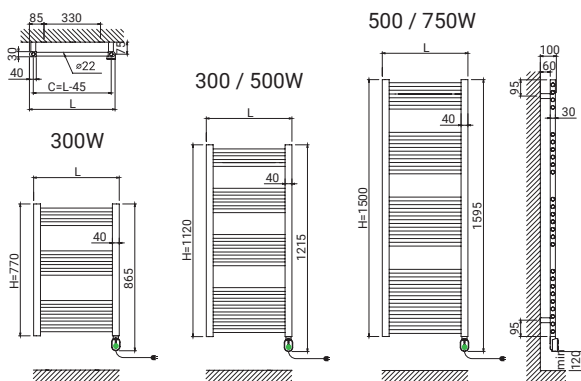
**AVAILABLE WITH LEFT-HAND SIDE PANEL**

Contact us to order this product with control panel on the left-hand manifold.

## Technical specifications

MODELS	White	TELWI50B077	TELWI50B112	TELWI50B150
	Black	TELWI50N077	TELWI50N112	TELWI50N150
	Chrome	TELWI50C077	TELWI50C112	TELWI50C150
Nominal Power (W)	White / Black	300	500	750
	Chrome	300	300	500
Number of bars		12	19	26
Width - L (mm)		500	500	500
Weight (Kg)		7.4	11.6	14.6
Product depth (mm)		30	30	30
Recommended area (m <sup>2</sup> )		Up to 3 m <sup>2</sup>	Up to 5 m <sup>2</sup>	Up to 7.5 m <sup>2</sup>
Recommended floor clearance (mm)		1,000	800	600
Finishes	Gloss RAL 9016 / Satin RAL 9005 / Chrome			

## Scheme Dimensions in mm.



eco design  
LOT20READY



PRODUCT  
VIDEO



AUGMENTED  
REALITY



DOWNLOAD APP  
ROINTE NEXA



1) Compatible with 2.4 GHz Wi-Fi networks. 2) The figure may vary depending on the circumstances of the electrical installation.

The product includes 1.4 m cable without plug (right side outlet, indicated by • in the dimensions diagram), brackets, installation kit + template and user manual. On products with the control panel positioned on the left-hand side, the cable outlet is also located on the left.

# Elba Oval

Energy-efficient towel rail  
with digital control



Displayed model  
TELV150B112 - Elba Oval 500W white



## Compatible with remote control

Control and programme your Elba Oval towel rail with the Air Control remote, allowing you to adjust and set personalised heating schedules.

## Concealed metal wall brackets

Secure fixing system that remains completely hidden, allowing more towels to be placed on the rails without visible supports obstructing easy use.

## Maximum energy savings

Its technology allows the product to offer maximum performance with minimum energy consumption.

## Features

### CONTROL AND TECHNOLOGY



Touch panel without display

**OPTIMIZER**

Optimizer Energy Plus



Optimum Flux Tech



High sensitivity thermostat

### EFFICIENCY



Open Windows function



Early Start function

### FUNCTIONALITY



Programmable from remote



Control panel lock



Max Power function up to 2 h



Extra functionality from remote

### DESIGN AND FINISHES



Concealed brackets



100% steel body



Gloss white  
**RAL 9016**



Satin black  
**RAL 9005**



Polished  
**CHROME**



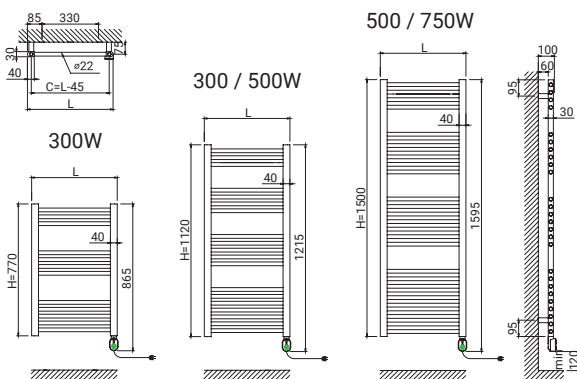
**AVAILABLE WITH LEFT-HAND SIDE PANEL**

Contact us to order this product with control panel on the left-hand manifold.

## Technical specifications

MODELS	400 MM WIDTH			500 MM WIDTH			
	White	TELVI40B077	TELVI40B112	TELVI40B150	TELVI50B077	TELVI50B112	TELVI50B150
	Black	-	-	-	TELVI50N077	TELVI50N112	TELVI50N150
	Chrome	TELVI40C077	TELVI40C112	TELVI40C150	TELVI50C077	TELVI50C112	TELVI50C150
Nominal Power (W)	White / Black	300	500	750	300	500	750
	Chrome	300	300	500	300	300	500
Number of bars		12	19	26	12	19	26
Width - L (mm)		400	400	400	500	500	500
Weight (Kg)		6.3	9.8	12.4	7.4	11.6	14.6
Product depth (mm)		30	30	30	30	30	30
Recommended area (m <sup>2</sup> )		Up to 3 m <sup>2</sup>	Up to 5 m <sup>2</sup>	Up to 7.5 m <sup>2</sup>	Up to 3 m <sup>2</sup>	Up to 5 m <sup>2</sup>	Up to 7.5 m <sup>2</sup>
Recommended floor clearance (mm)		1,000	800	600	1,000	800	600
Finishes		Gloss RAL 9016 / Chrome			Gloss RAL 9016 / Satin RAL 9005 / Chrome		

## Scheme Dimensions in mm.



PRODUCT VIDEO



AUGMENTED REALITY



The product includes 1.4 m cable without plug (right side outlet, indicated by • in the dimensions diagram), brackets, installation kit + template and user manual. On products with the control panel positioned on the left-hand side, the cable outlet is also located on the left.

# Venezia Oval WiFi

Energy-efficient towel rail  
with digital control

WiFi DIRECT



Displayed model  
TVEI50B120 - Venezia Oval 500W graphite

## Features

### CONTROL AND TECHNOLOGY



WiFi Direct connection<sup>1</sup>



Touch panel without display



Comfort, Eco and Anti-frost mode



Bluetooth pairing

OPTIMIZER

Optimizer Energy Plus



Optimum Flux Tech



High sensitivity thermostat



Compatible with voice assistants

### EFFICIENCY



Artificial Intelligence



Open Windows function



Early Start function



TRP consumption meter<sup>2</sup>

### FUNCTIONALITY



Programmable from App



Lock from product & App



Limited mode for guests



Max Power function up to 2h



Night saving mode



Holiday mode

### DESIGN AND FINISHES



Concealed brackets



100% steel body



Panel on left side



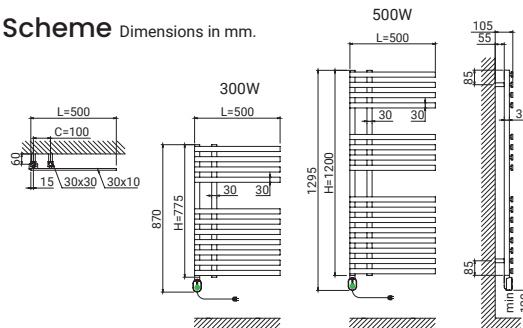
Gloss white RAL 9016



Textured GRAPHITE

## Scheme

Dimensions in mm.



MODELS	White	TVEI50B077	TVEI50B120
	Graphite	TVEI50N077	TVEI50N120
Nominal Power (W)		300	500
Number of bars		11	16
Width - L (mm)		500	500
Weight (Kg)		10.0	15.5
Product depth (mm)		50	50
Recommended area (m <sup>2</sup> )		Up to 3 m <sup>2</sup>	Up to 5 m <sup>2</sup>
Recommended floor clearance (mm)		1,000	800
Finishes	Gloss RAL 9016 / Textured graphite		

1) Compatible with 2.4 GHz Wi-Fi networks. 2) The figure may vary depending on the circumstances of the electrical installation. The product includes 1.4 m cable without plug (right side outlet, indicated by • in the dimensions diagram), brackets, installation kit + template and user manual.

